



Containers for hazardous solid waste ASP



ASP 600/800/1500
ASP 600 LTH

Containers for hazardous solid waste

ASP 600/800/1500



Certified for storage and transport of hazardous solids and bulk substances. Standard containers (UN code starting with 11A) are suitable for the transport of substances that require packing group I./X, II./Y or III./Z, according to ADR / RID / IMDG / RTDG regulations.

ASP 600/800/1500 containers are certified according to Chapter 6.5 of the ADR Agreement as a large container for bulk substances (IBC, 11A) of solid or pasty nature. Filling and emptying is allowed by gravity (ie not under pressure).

Packaging requirements for a specific hazardous substance are not part of the packaging certification. In all cases, it is necessary to follow the relevant ADR guideline for the packaging of a specific dangerous substance. Ensuring these requirements is up to the user.

Lid

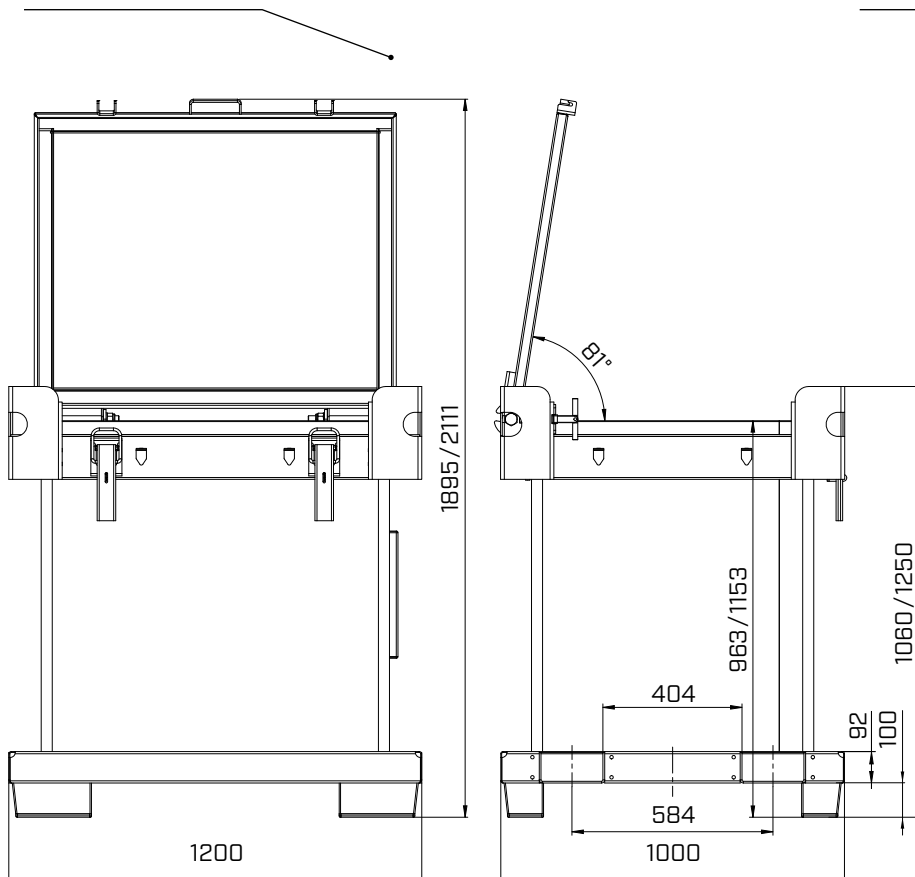
- equipped with a handle,
- lockable in the open position 81 degrees and automatic locking when open 270 degrees,
- 2 lid locks,
- springs to lighten the lid,
- lid thickness 2 mm,
- side thickness 2 mm,
- bottom thickness 2.5 mm.

Specifications

- comply with DIN 30741, part I, UN certified,
- handling with a forklift or crane,
- document pocket,
- hot-dip galvanized.

dimensions [mm]

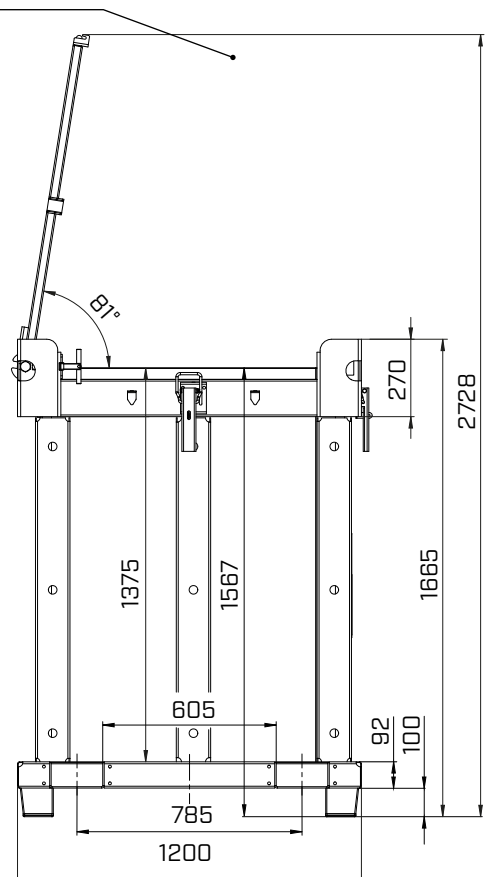
ASP 600/800



Technical parameters

Type	volume [l]	dimensions, external [l x w x h, mm]	weight [kg]	load capacity [kg]
ASP 600	600	1200x1000x1060	180	1270
ASP 800	800	1200x1000x1250	190	1260
ASP 1500	1500	1440x1200x1665	320	1180

ASP 1500



Containers for hazardous solid waste

ASP 600 LTH - for lithium batteries



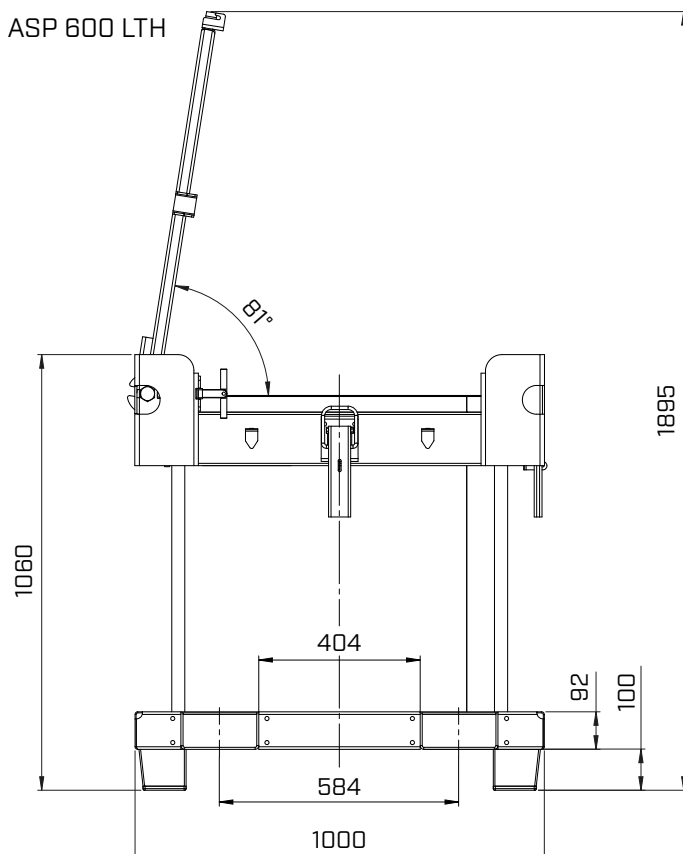
The LTH version (UN code starts with 4A) is intended for batteries, including lithium batteries, and they are suitable for the transport of substances in packing group II./Y or III./Z, according to ADR / RID / IMDG / RTDG regulations.

The ASP 600 LTH container is certified according to chapter 6.1 of the ADR Agreement as a steel box (4A). This type of packaging is suitable for all groups of lithium batteries and cells mentioned in 4.1.4.1 of the ADR (Guidelines for packaging).

The LTH version can also be used for packaging other dangerous goods than lithium batteries. In all cases, however, it is necessary to follow the relevant ADR guideline for the packaging of a specific dangerous substance.

For lithium batteries, according to 4.1.4.1 of the ADR, the packaging is certified for:

- lithium batteries transported for disposal or recycling,
- new lithium batteries produced in small series (up to 100 pieces), or prototypes transported for testing,
- lithium batteries damaged or defective, including those contained in equipment, other than those prone to rapid decomposition, hazardous reactions, fire or hazardous heat generation or by releasing toxic, corrosive or flammable vapors,
- other lithium batteries (eg new lithium batteries that are transported throughout the supply chain).



Specifications

- comply with DIN 30741, part I, UN certified,
- handling with a forklift or crane,
- document pocket,
- hot-dip galvanized.

Lid

- equipped with a handle,
- lockable in the open position 81 degrees and automatic locking when open 270 degrees,
- 4 lid locks,
- springs to lighten the lid,
- lid thickness 3 mm,
- side thickness 2 mm,
- bottom thickness 2.5 mm.

Technical parameters

Type	volume [l]	dimensions, external [l x w x h, mm]	weight [kg]	load capacity [kg]
ASP 600 LTH	600	1200x1000x1060	193	400



Lid locking and lid lightening springs



Lid lock - locked and secured



ELKOPLAST CZ, s.r.o.

Štefánikova 2664
760 01 Zlín
Czech Republic

e-mail: elkoplast@elkoplast.cz
tel.: +420 575 571 000

